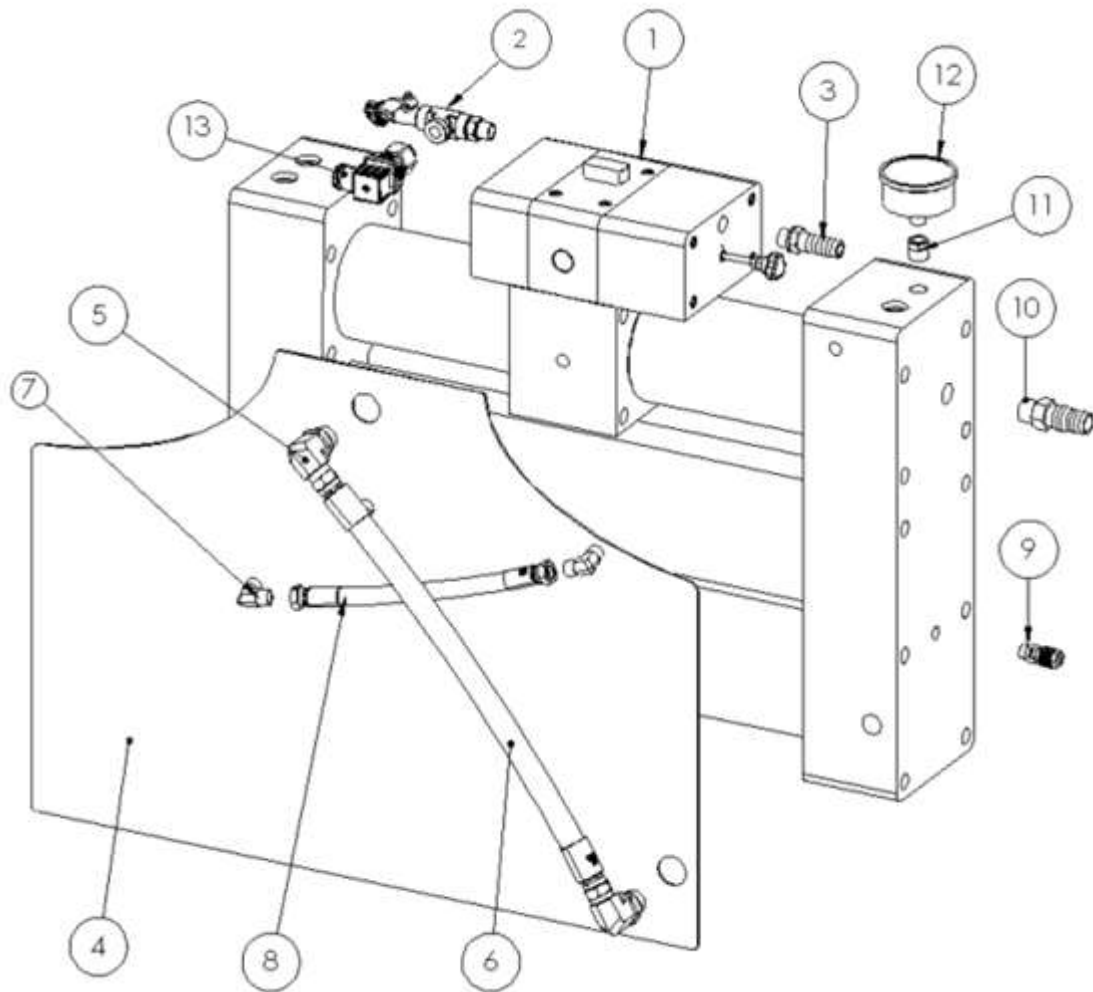


## INDEX

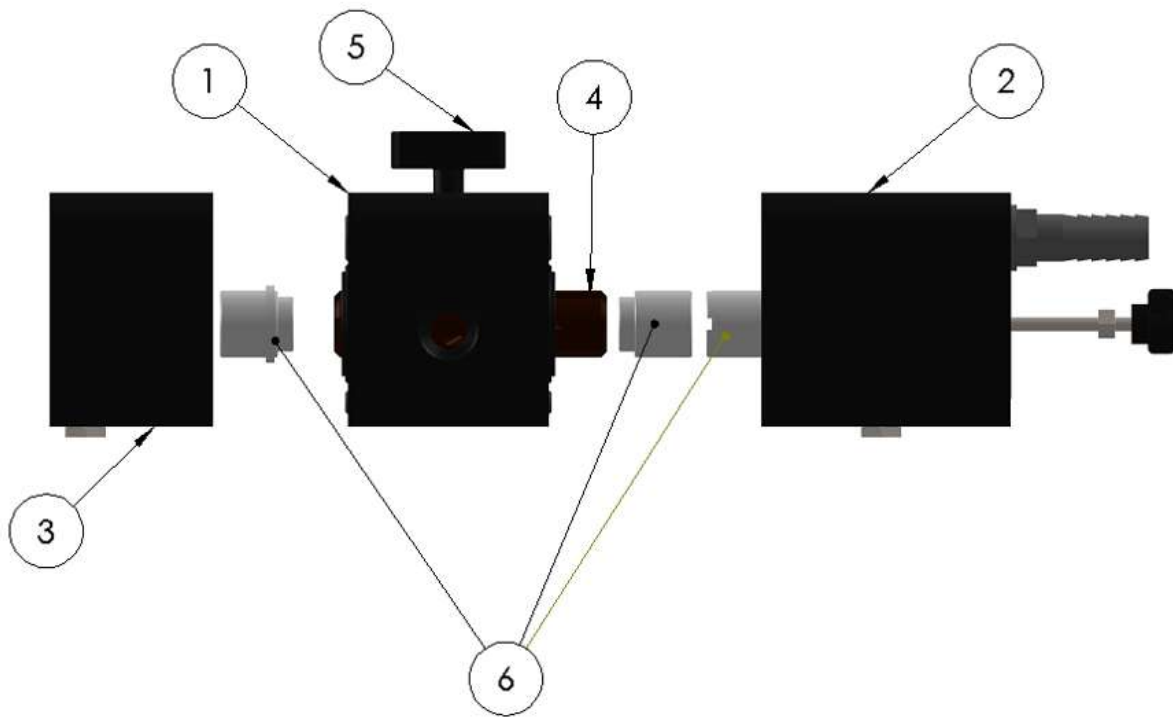
MAIN BODY ZEN150 TOUCH.....	2
MAIN COMMUTATIONAL VALVE ZEN150 .....	3
LOWER BODY ZEN150.....	4
LOWER BODY ZEN150: CYLINDER PISTONS .....	5

## MAIN BODY ZEN150 TOUCH



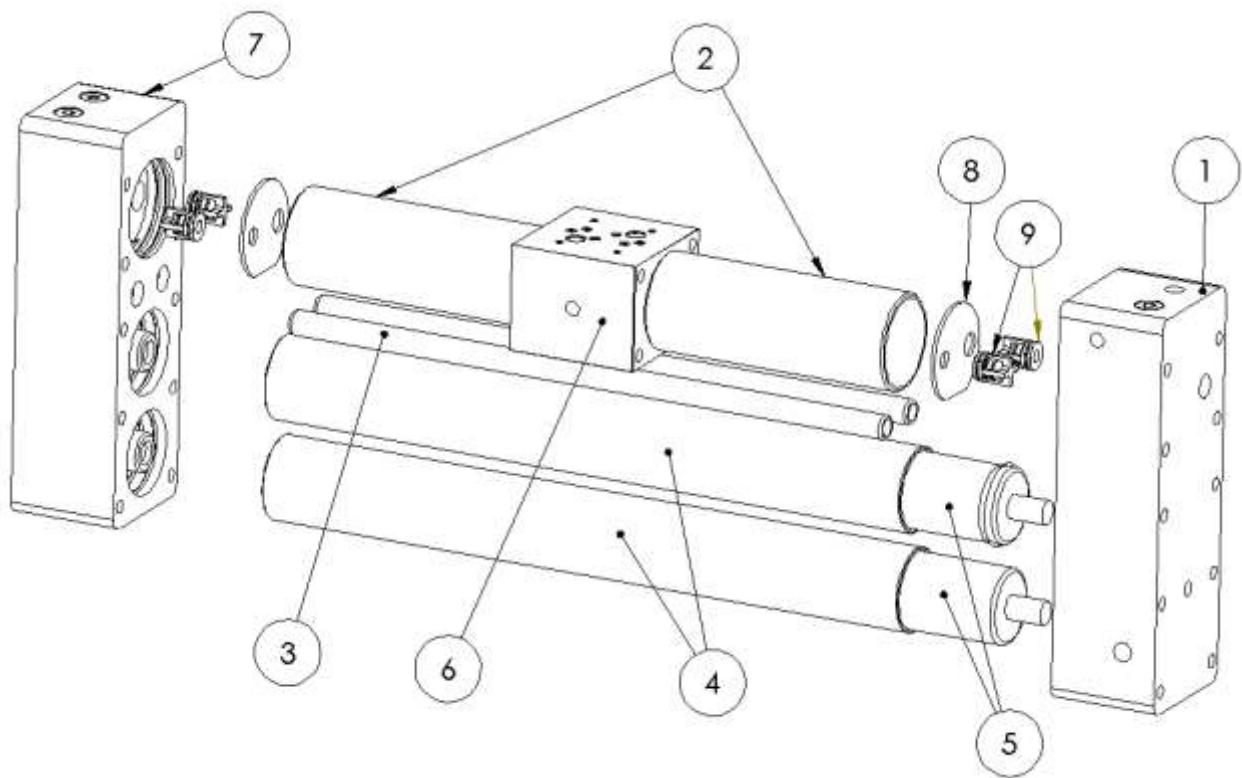
#	Code	Description	Quantity
1	301006	MAIN COMMUTATION VALVE Z150	1
2	211006	RESET BRANCH ZEN150 TOUCH includes 13	1
3	106058	PVC FITT - HOSEBARB 1/2" DIAM. 20-22	1
4	117004	BLACK COVER ZEN 150	1
5	105019	SS FITTING - MALE ADJUSTABLE ELBOW UNION 1/2" WITH CAPTIVE SEAL	2
6	205003	HIGH PRESSURE HOSE ZEN 100/150	1
7	105013	SS FITTING - MALE ADAPTOR ELBOW UNION 1/4"	2
8	205004	LOW PRESSURE HOSE ZEN 150	1
9	106023	PLASTIC SERTO FITTING 6X8 - MALE ADAPTOR UNION 1/4"	1
10	106058	PVC FITT - HOSEBARB 1/2" DIAM. 20-22	1
11	106004	PLASTIC BLUE FITTING - MALE/FEMALE REDUCING 1/2"M 1/4"F	1
12	107033	PRESSURE GAUGE 0-25 BAR - D63 BACK CONNECTION	1
13	107004	SIGNAL PRESSURE SWITCH MODULAR 60/100 (NO 2)	1

## MAIN COMMUTATIONAL VALVE ZEN150

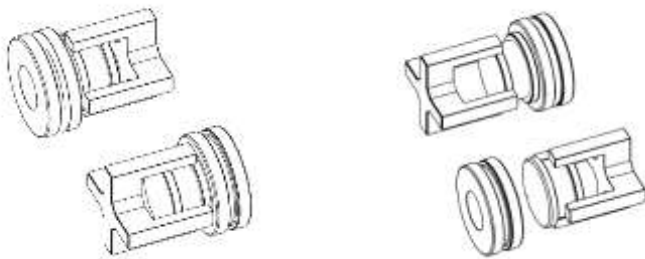


#	Code	Description	Quantity
1	201020	CENTRAL VALVE ZEN 150 ASSEMBLED	1
2	201021	RIGHT VALVE ZEN 150 ASSEMBLED	1
3	201022	LEFT VALVE ZEN 150 ASSEMBLED	1
4	212017	VALVE ROD (BROWN VERSION)	1
5	212007	DECOMPRESSION VALVE ZEN included in #1	1
6	201057	VALVE PISTONS KIT 150/200/300	1

## LOWER BODY ZEN150

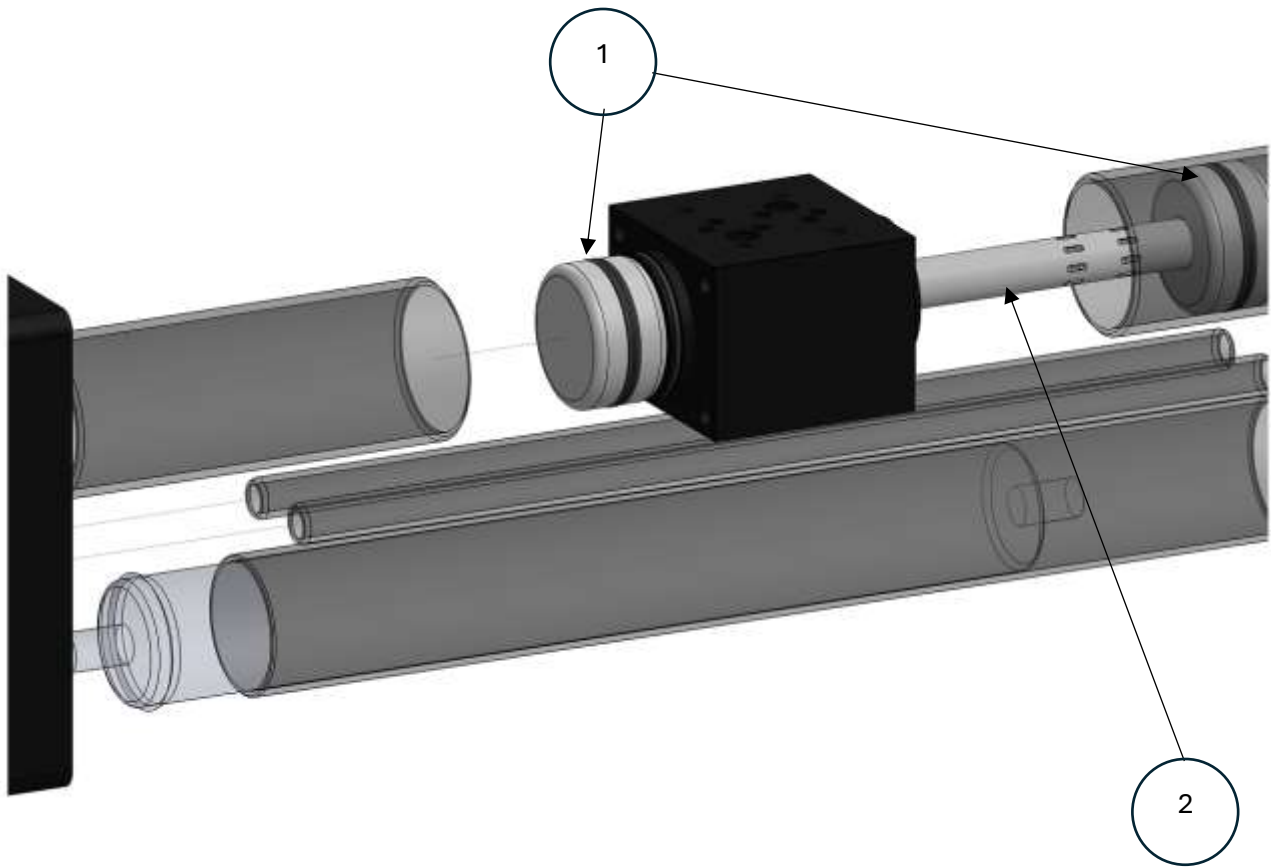


Not return valve details (9)



#	Code	Description	Quantity
1	201018	IN/OUT MANIFOLD (RIGHT) ZEN 150 ASSEMBLED Includes #8 and 9	1
2	208011	CARBON FIBRE CYLINDER Z100/150	2
3	102015	CYLINDER CONDUIT ZEN	2
4	208009	VESSEL 4021 ZEN	2
5	109037	MEMBRANE 4021	2
6	201017	CENTRAL SECTION BOTTOM PARTS ERS ZEN 150	1
7	201019	BLIND MANIFOLD (LEFT) ZEN 150 ASSEMBLED Includes #8 and 9	1
8	114037	TITANIUM PLATE FOR ZEN 100/150	2
9	201010	KIT ERS NON RETURN VALVE ZEN 100/150 (3 PIECES)	1

## LOWER BODY ZEN150: CYLINDER PISTONS



#	Code	Description	Quantity
1	201053	PISTONS 150/200/300	2
2	212027	MAIN ROD ZEN 150	1