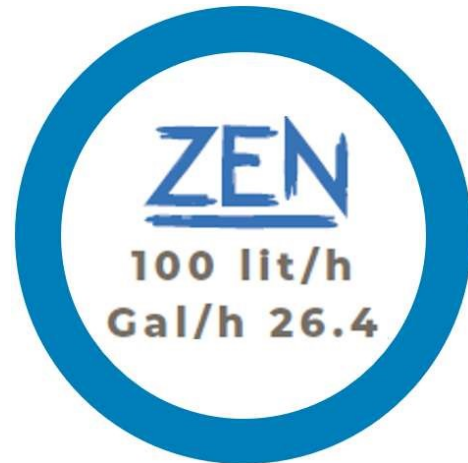


TECHNICAL DATA

Product type	Reverse osmosis watermaker
Application	Seawater for nautical application
Production	100 l/h ±15% (26,4 gal/h ±15%) @35 ppm and 25 °C
Membranes	2x Membrane SW-4021
Rejection	99,5% (nominal)
Power supply	12 V ±15% DC
	24 V ±15% DC
	48 V ±15% DC
	110 V ±15% AC - 60 Hz
	230 V ±15% AC - 50/60 Hz
Absorption - Power required	33 A ±15% - 400 W ±15% (12 V)
	17 A ±15% - 400 W ±15% (24 V)
	11 A ±15% - 400 W ±15% (48 V)
	5,3 A ±15% - 600 W ±15% (110 V)
	2,5 A ±15% - 600 W ±15% (230 V)
Pump	Rotary pump
Pressure pump	10 - 11 bar
Flow rate pump	15,6 - 16,6 l/min
Water inlet temperature range	8 - 30 °C
Pre-filtration	1x 5micron filter 10"x2-1/2"
	1x Active carbon filter 2-7/8" x 9-3/4"
Shipping weight	85 kg / 88 kg (230 V)
Shipping dimensions	88x64x69 cm



HYDRAULIC CONNECTIONS

PUMP / FILTERS / NR VALVE

Seawater inlet	Hose barb DN20/22 - DN20
Seawater outlet	Hose barb DN20/22 - DN20

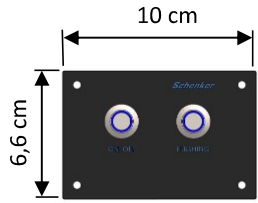
WATERMAKER

Seawater inlet	Hose barb DN20/22
Concentrated water outlet	Hose barb DN16
Fresh water outlet	Compression fitting 1/4" for hose 6x8

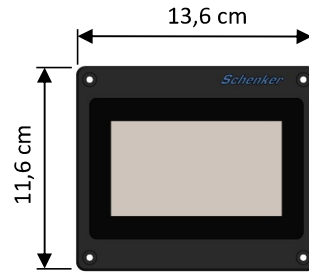
CONTROL SYSTEMS AND OPTIONAL DEVICES

Electronics	Basic / Touch
Automatic flushing	Standard
Safety control	High/low pressure
	Low voltage
Salinity monitoring	N.A. (Basic) / Optional (Touch)

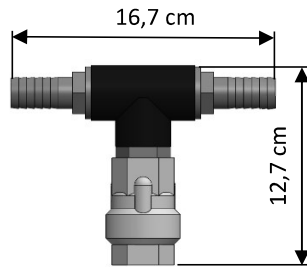
COMPONENTS



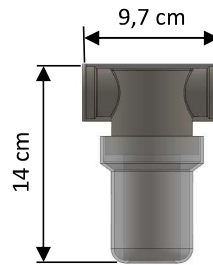
CONTROL PANEL (BASIC)
Depth: 3,6 cm
Cut dimensions: 7,6x4,4 cm



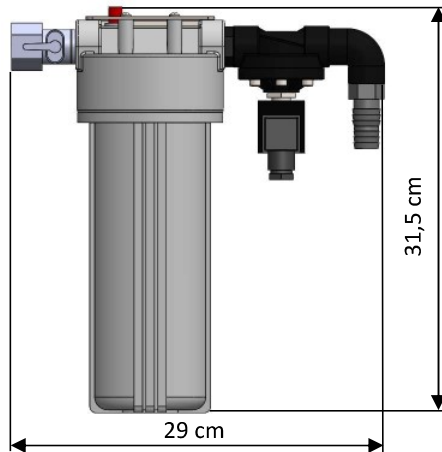
CONTROL PANEL (TOUCH)
Depth: 3,2 cm
Cut dimensions: 11x8,8 cm



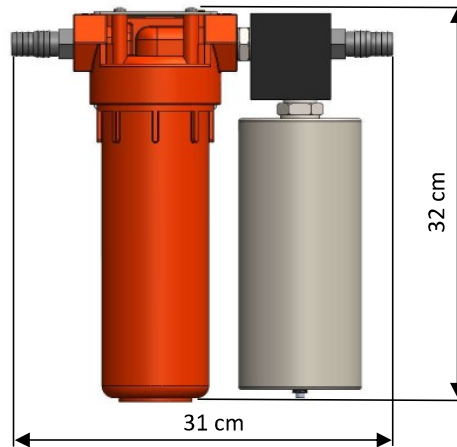
NON RETURN VALVE
Depth: 4,7 cm



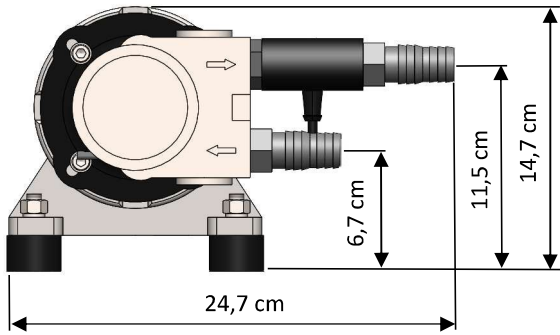
MESH FILTER GROUP
Depth: 9,1 cm



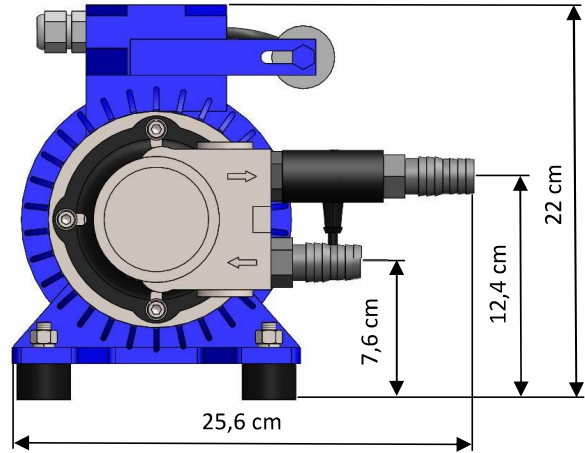
ACTIVE CARBON FILTER GROUP
Depth: 12,8 cm



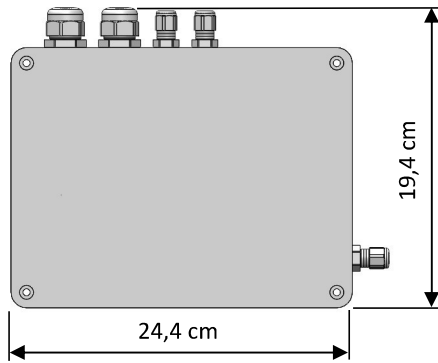
5 MICRON FILTER GROUP
Depth: 11,3 cm



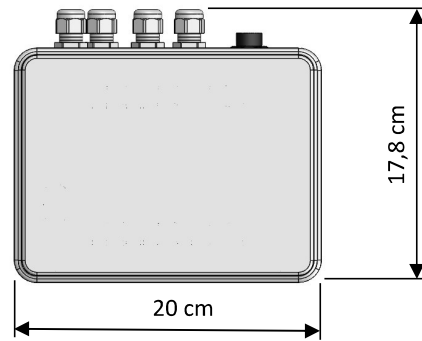
PUMP GROUP 12/24/48V
Depth: 37,1 cm - Weight: 10,1 kg



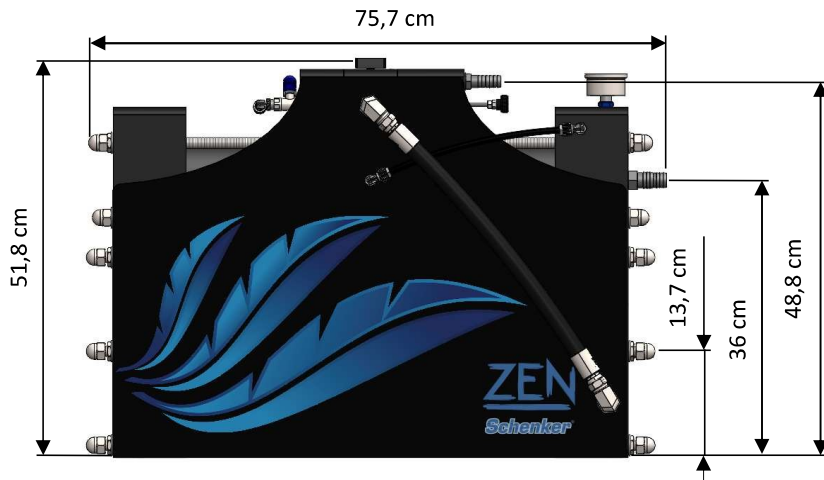
PUMP GROUP 230V
Depth: 40,4cm – Weight: 12kg



ELECTRICAL PUMP BOX
Depth: 10,6 cm

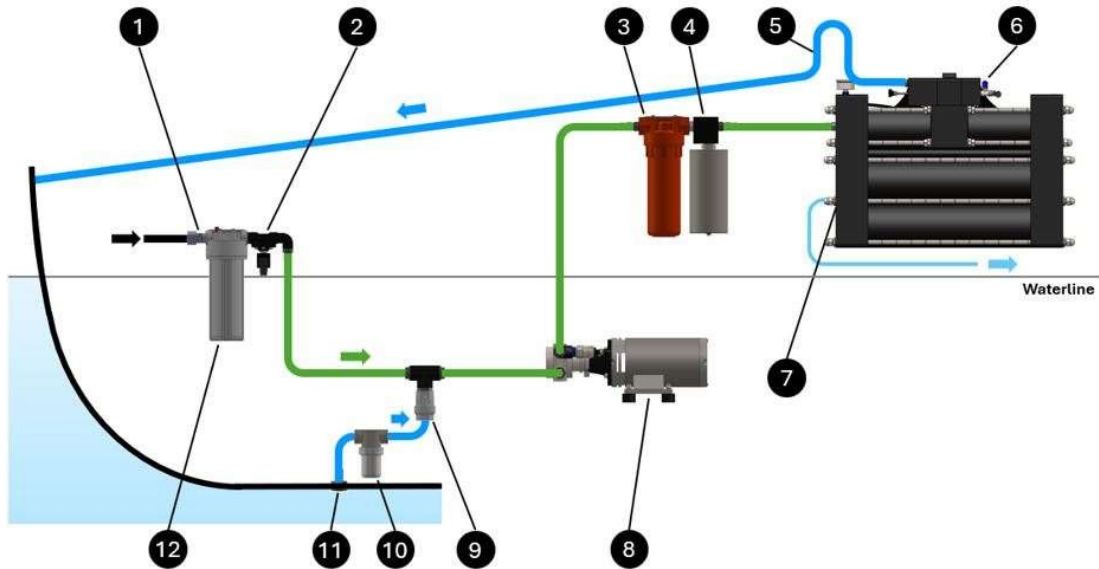


COMPUTER BOX (TOUCH)
Depth: 8 cm



WATERMAKER
Depth: 19 cm - Weight: 40,8 kg

INSTALLATION SCHEME



- | | |
|---------------------------------|------------------------|
| ① Pressurized fresh water valve | ⑦ Fresh water outlet |
| ② Electrovalve | ⑧ Pump |
| ③ 5 micron filter | ⑨ Non return valve |
| ④ Accumulator | ⑩ Mesh filter |
| ⑤ Swan neck upwater - Discharge | ⑪ Sea water inlet |
| ⑥ Watermaker | ⑫ Active carbon filter |

SCHENKER ITALIA s.r.l.

Via Ferrante Imparato, 499/501, Condominio Genesis
80146 NAPOLI – NA – Italia

Email: info@schenker.it

Web: <https://schenkerwatermakers.com/>

Tel. +39 0815593505 - 0815590931