

### TECHNICAL DATA

Product type	Reverse osmosis watermaker
Application	Seawater for nautical application
Production	150 l/h ±15% (39,6 gal/h ±15%) @35 ppm and 25 °C
Membranes	2x Membrane SW-4021
Rejection	99,5% (nominal)
Power supply	24 V ±15% DC 48 V ±15% DC 110 V ±15% AC - 60 Hz 230 V ±15% AC - 50/60 Hz
Absorption - Power required	25 A ±15% - 600 W ±15% (24 V) 13 A ±15% - 600 W ±15% (48 V) 6 A ±15% - 700 W ±15% (110 V) 3 A ±15% - 700 W ±15% (230 V)
Pump	Rotary pump
Pressure pump	10 - 11 bar
Flow rate pump	15,6 – 16,6 l/min
Water inlet temperature range	8 - 30 °C
Pre-filtration	1x 5micron filter 10"x2-1/2" 1x Active carbon filter 2-7/8" x 9-3/4"
Shipping wight	94 kg
Shipping dimensions	88x64x69 cm



### HYDRAULIC CONNECTIONES

#### PUMP / FILTERS / NR VALVE

Seawater inlet	Hose barb DN20/22 - DN20
Seawater outlet	Hose barb DN20/22 - DN20

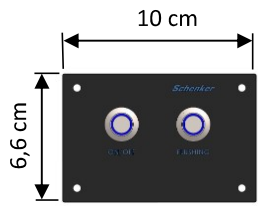
#### WATERMAKER

Seawater inlet	Hose barb DN20/22
Concentrated water outlet	Hose barb DN16
Fresh water outlet	Compressor fitting 1/4" for hose 6x8

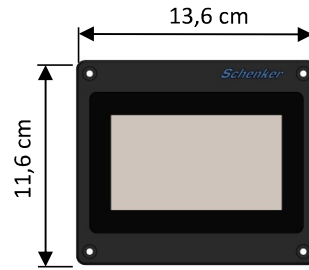
### CONTROL SYSTEM AND OPTIONAL DEVICES

Electronics	Basic / Touch
Automatic flushing	Standard
Safety control	High/low pressure Low voltage
Salinity monitoring	N.A. (Basic) / Optional (Touch)

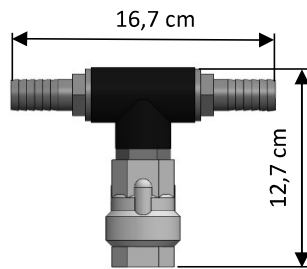
**COMPONENTS**



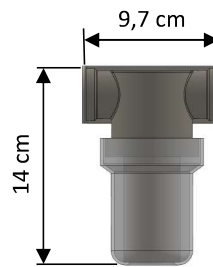
**CONTROL PANEL (BASIC)**  
Depth: 3,6 cm  
Cut dimensions: 7,6x4,4 cm



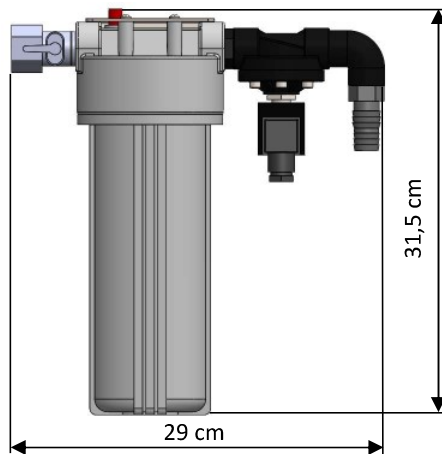
**CONTROL PANEL (TOUCH)**  
Depth: 3,2 cm  
Cut dimensions: 11x8,8 cm



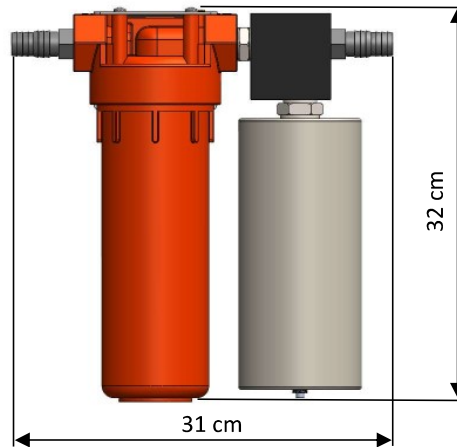
**NON RETURN VALVE**  
Depth: 4,7 cm



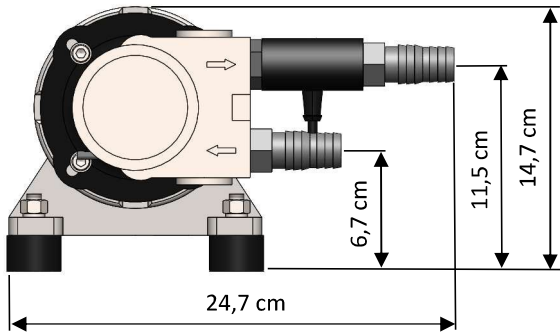
**MESH FILTER GROUP**  
Depth: 9,1 cm



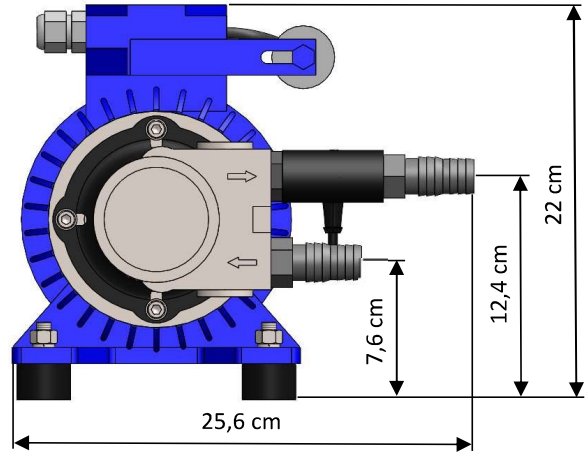
**ACTIVE CARBON FILTER GROUP**  
Depth: 12,8 cm



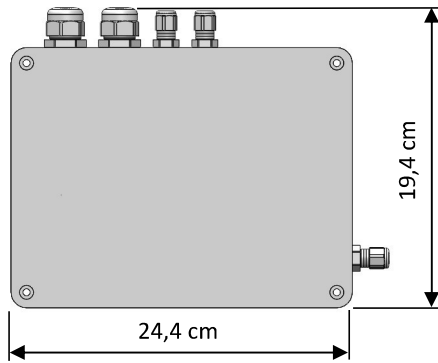
**5 MICRON FILTER GROUP**  
Depth: 11,3 cm



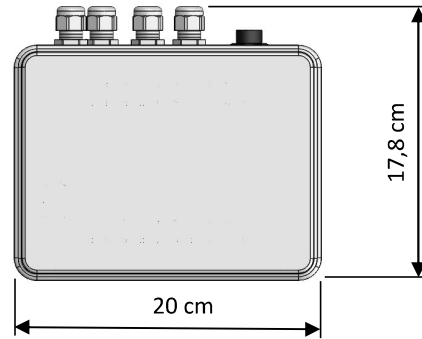
**PUMP GROUP 24/48V**  
Depth: 41,2 cm - Weight: 12,7 kg



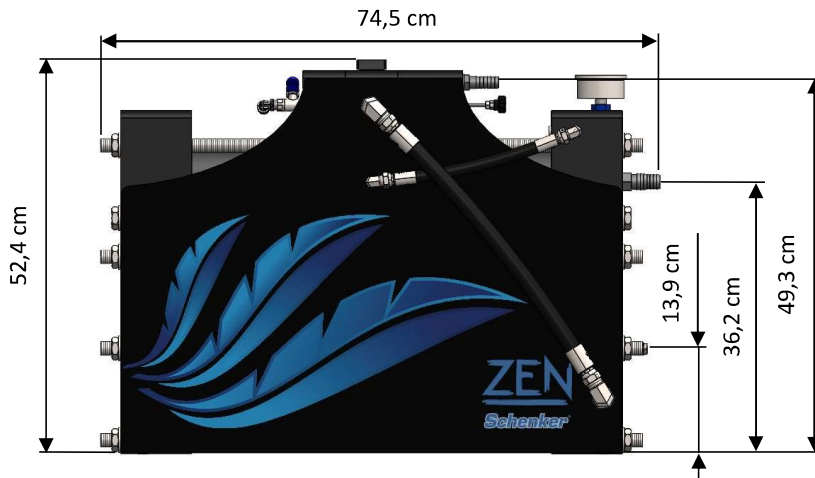
**PUMP GROUP 230V**  
Depth: 43,2cm – Weight: 12,1kg



**ELECTRICAL PUMP BOX**  
Depth: 10,6 cm

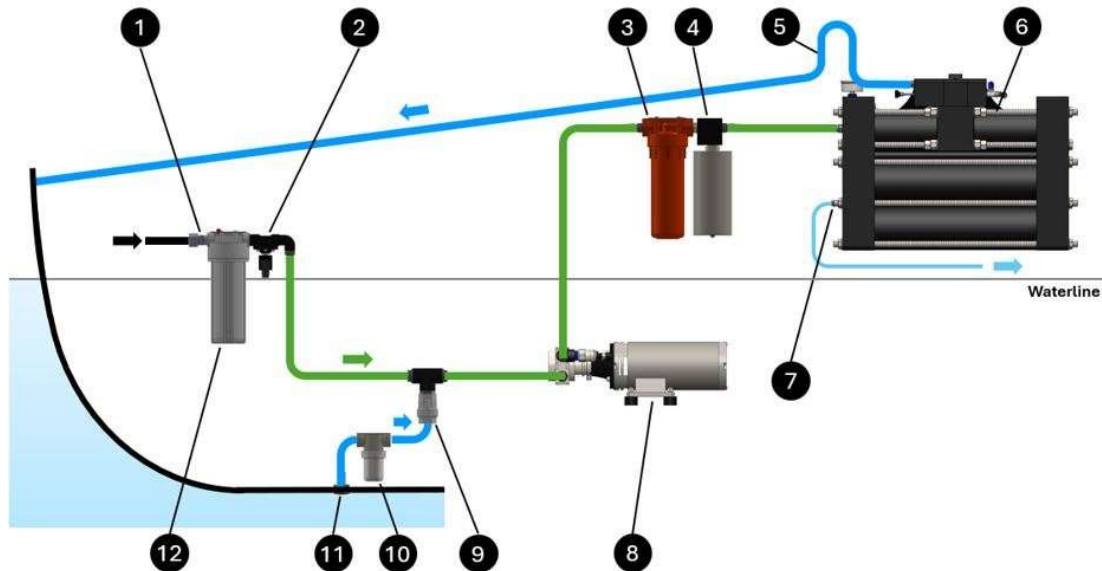


**COMPUTER BOX (TOUCH)**  
Depth: 8 cm



**WATERMAKER**  
Depth: 19,6 cm - Weight: 47,9 kg

**INSTALLATION SCHEME**



- |                                 |                         |
|---------------------------------|-------------------------|
| 1 Pressurized fresh water valve | 7 Fresh water outlet    |
| 2 Electrovalve                  | 8 Pump                  |
| 3 5 micron filter               | 9 Non return valve      |
| 4 Accumulator                   | 10 Mesh filter          |
| 5 Swan neck upwater - Discharge | 11 Sea water inlet      |
| 6 Watermaker                    | 12 Active carbon filter |

**SCHENKER ITALIA s.r.l.**

Via Ferrante Imparato, 499/501, Condominio Genesis  
80146 NAPOLI – NA – Italia

Email: [info@schenker.it](mailto:info@schenker.it)

Web: <https://schenkerwatermakers.com/>

Tel. +39 0815593505 - 0815590931