

### TECHNICAL DATA

Product type	Reverse osmosis watermaker
Application	Seawater for nautical application
Production	300 l/h ±15% (79 gal/h ±15%) @35 ppm and 25 °C
Membranes	4x Membrane SW-4021
Rejection	99,5% (nominal)
Power supply	24 V ±15% DC
	48 V ±15% DC
	110 V ±15% AC - 60 Hz
	230 V ±15% AC - 50/60 Hz
	12V-230V ±15% - 50/60 Hz
	24V-230V ±15% - 50/60 Hz
Absorption - Power required	25 A ±15% - 600 W ±15% (24 V)
	13 A ±15% - 600 W ±15% (48 V)
	6 A ±15% - 700 W ±15% (110 V)
	3 A ±15% - 700 W ±15% (230 V)
Pumps	2x Rotary pump
Pressure pump	10 - 11 bar
Flow rate pumps	31,7 – 33,3 l/min
Water inlet temperature range	8 - 30 °C
Pre-filtration	2x 5micron filter 10"x2-1/2"
	2x Active carbon filter 2-7/8" x 9-3/4"
Shipping wight	188 kg
Shipping dimensions	88x64x124 cm



### HYDRAULIC CONNECTIONES

#### PUMP / FILTERS / NR VALVE

Seawater inlet	Hose barb DN20/22 - DN20
Seawater outlet	Hose barb DN20/22 - DN20

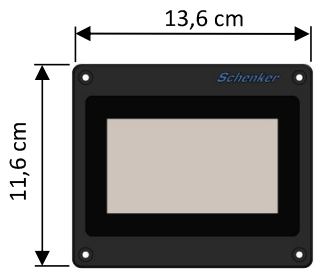
#### WATERMAKER

Seawater inlet	Hose barb DN20/22
Concentrated water outlet	Hose barb DN16
Fresh water outlet	Compressor fitting 1/4" for hose 6x8

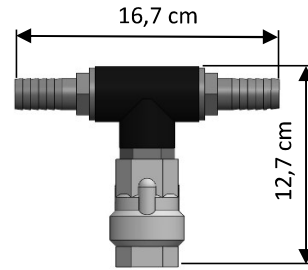
### CONTROL SYSTEMS AND OPTIONAL DEVICES

Electronics	Touch
Automatic flushing	Standard
Safety control	High/low pressure
	Low voltage
Salinity monitoring	Standard

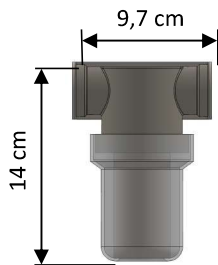
**COMPONENTS**



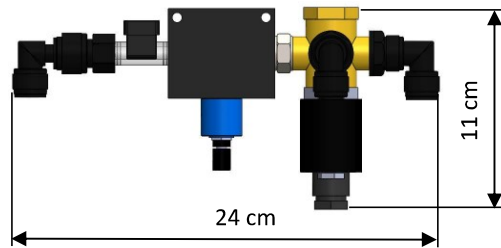
**CONTROL PANEL**  
Depth: 3,2 cm  
Cut dimensions: 11x8,8 cm



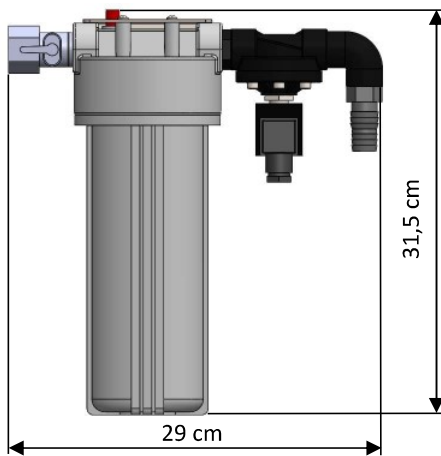
**NON RETURN VALVE**  
Depth: 4,7 cm



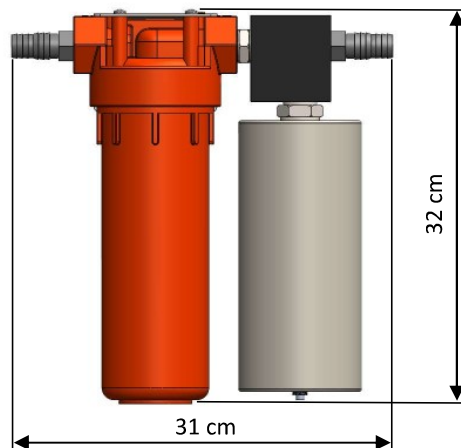
**MESH FILTER GROUP**  
Depth: 9,1 cm



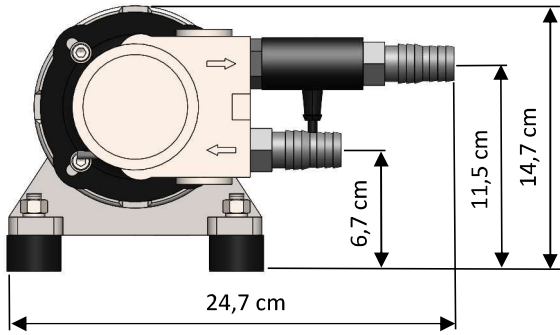
**VALVOLA DEVIATRICE + FLUSSOMETRO**  
Depth: 11,5 cm



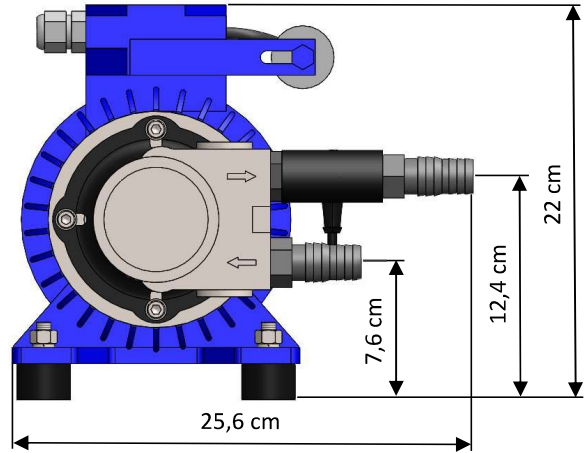
**ACTIVE CARBON FILTER GROUP**  
Depth: 12,8 cm



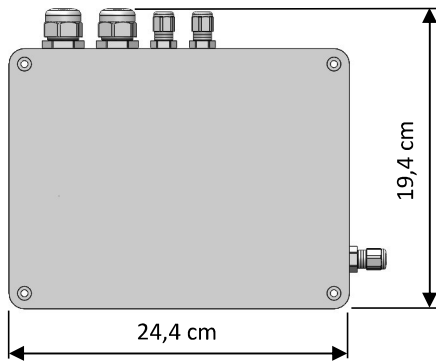
**5 MICRON FILTER GROUP**  
Depth: 11,3 cm



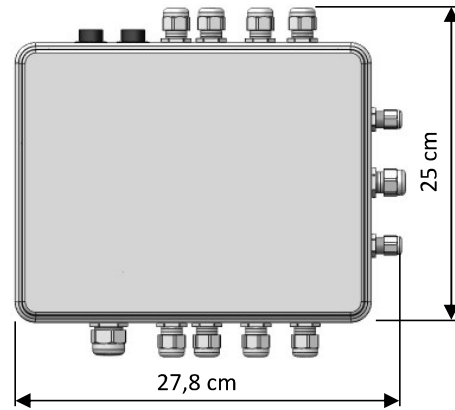
**PUMP GROUP 12/24/48V**  
Depth: 37,1 cm - Weight: 10,1 kg



**PUMP GROUP 230V**  
Depth: 40,4cm – Weight: 12kg



**ELECTRICAL PUMP BOX**  
Depth: 10,6 cm

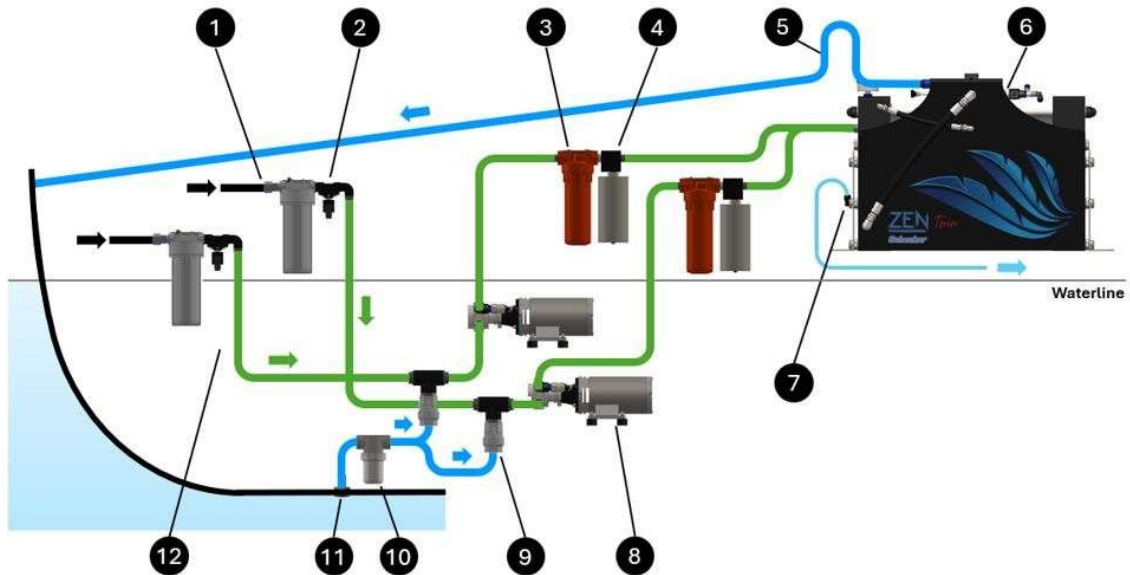


**COMPUTER BOX**  
Depth: 10 cm



**WATERMAKER**  
Depth: 40 cm - Weight: 96,4 kg

## INSTALLATION SCHEME



- |   |                               |    |                      |
|---|-------------------------------|----|----------------------|
| 1 | Pressurized fresh water valve | 7  | Fresh water outlet   |
| 2 | Electrovalve                  | 8  | Pump                 |
| 3 | 5 micron filter               | 9  | Non return valve     |
| 4 | Accumulator                   | 10 | Mesh filter          |
| 5 | Swan neck upwater - Discharge | 11 | Sea water inlet      |
| 6 | Watermaker                    | 12 | Active carbon filter |

### SCHENKER ITALIA s.r.l.

Via Ferrante Imparato, 499/501, Condominio Genesis

80146 NAPOLI – NA – Italia

Email: [info@schenker.it](mailto:info@schenker.it)

Web: <https://schenkerwatermakers.com/>

Tel. +39 0815593505 - 0815590931