

TECHNICAL DATA

Product type	Reverse osmosis watermaker
Application	Seawater for nautical application
Production	50 l/h ±15% (13,2 gal/h ±15%) @35 ppm and 25 °C
Membranes	2x Membrane SW-2521
Rejection	99,5% (nominal)
Power supply	12 V ±15% DC 24 V ±15% DC
Absorption - Power required	22 A ±15% - 250 W ±15% (12 V) 11,8 A ±15% - 250 W ±15% (24 V)
Pumps	2x Shurflo diaphragm pump
Pressure pump	7 - 8 bar
Flow rate pump	7,9 - 8,3 l/min
Water inlet temperature range	8 - 30 °C
Pre-filtration	1x 5micron filter 10"x2-1/2" 1x Active carbon filter 2-7/8" x 9-3/4"
Shipping weight	49 kg
Shipping dimensions	82x52x64 cm



HYDRAULIC CONNECTIONS

PUMP / FILTERS / NR VALVE

Seawater inlet	Hose barb DN16
Seawater outlet	Hose barb DN16

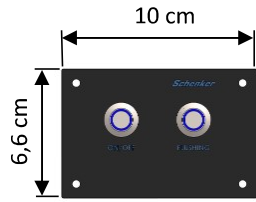
WATERMAKER

Seawater inlet	Hose barb DN16
Concentrated water outlet	Hose barb DN16
Fresh water outlet	Compression fitting 1/4" for hose 6x8

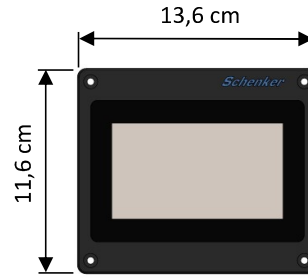
CONTROL SYSTEMS AND OPTIONAL DEVICES

Electronics	Basic / Touch
Automatic flushing	Standard
Safety control	High/low pressure Low voltage
Salinity monitoring	N.A. (Basic) / Optional (Touch)

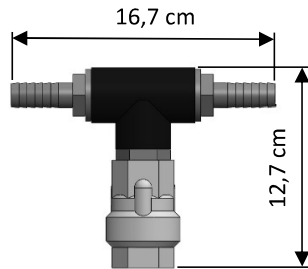
COMPONENTS



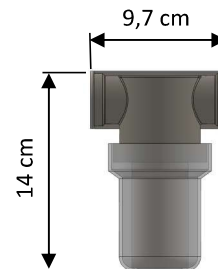
CONTROL PANEL (BASIC)
Depth: 3,6 cm
Cut dimensions: 7,6x4,4 cm



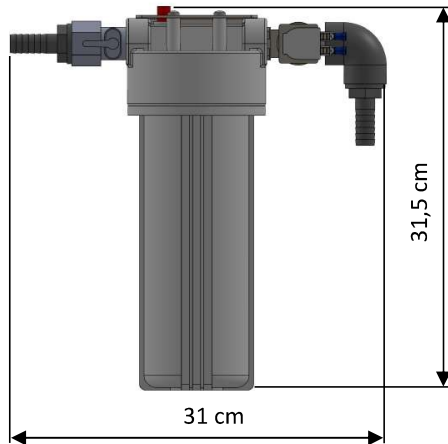
CONTROL PANEL (TOUCH)
Depth: 3,2 cm
Cut dimensions: 11x8,8 cm



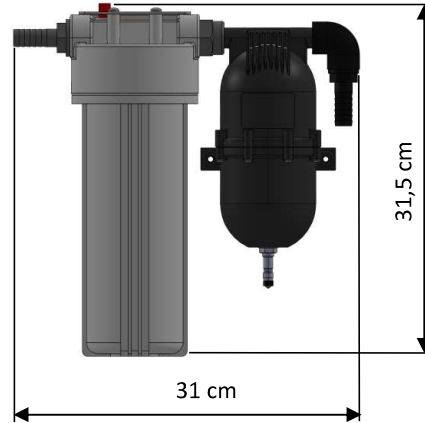
NON-RETURN VALVE
Depth: 4,7 cm



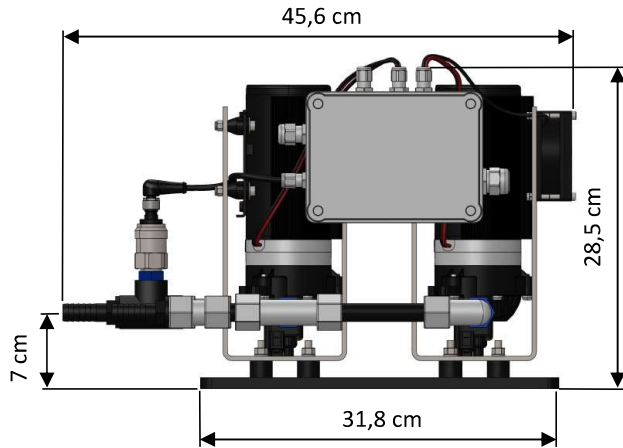
MESH FILTER GROUP
Depth: 9,1 cm



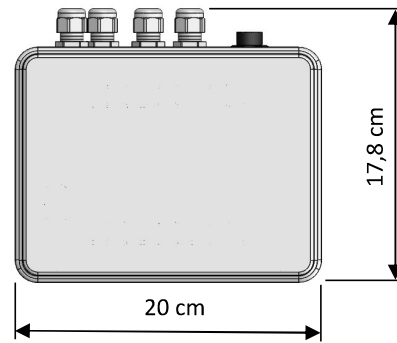
ACTIVE CARBON FILTER GROUP
Depth: 13,1 cm



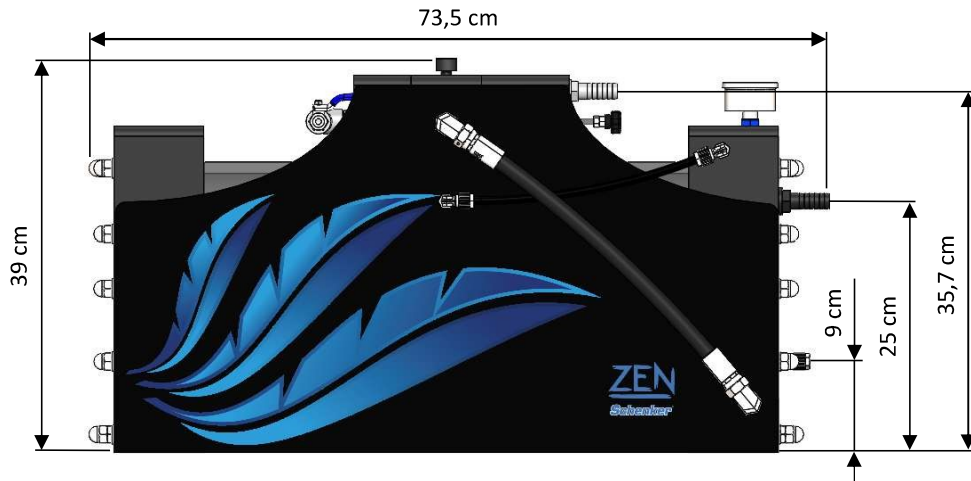
5 MICRON FILTER GROUP
Depth: 13 cm



PUMP GROUP
Depth: 24 cm - Weight: 9,2 kg

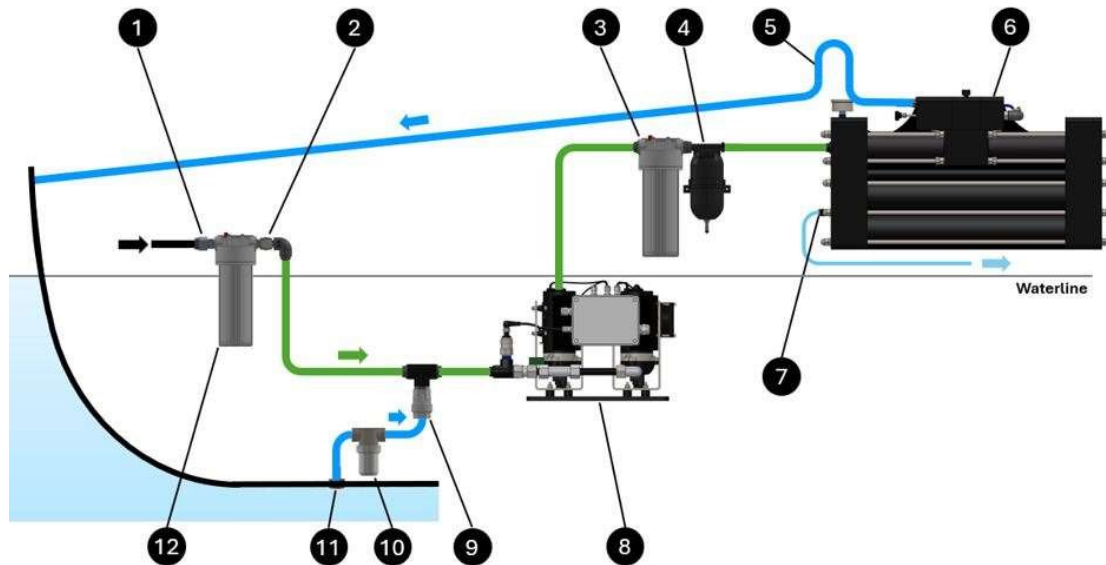


COMPUTER BOX (TOUCH)
Depth: 8 cm



WATERMAKER
Depth: 15,3 cm - Weight: 21,3 kg

INSTALLATION SCHEME



- | | |
|---------------------------------|-------------------------|
| 1 Pressurized fresh water valve | 7 Fresh water outlet |
| 2 Electrovalve | 8 Pump |
| 3 5 micron filter | 9 Non return valve |
| 4 Accumulator | 10 Mesh filter |
| 5 Swan neck upwater - Discharge | 11 Sea water inlet |
| 6 Watermaker | 12 Active carbon filter |

SCHENKER ITALIA s.r.l.

Via Ferrante Imparato, 499/501, Condominio Genesis

80146 NAPOLI – NA – Italia

Email: info@schenker.it

Web: <https://schenkerwatermakers.com/>

Tel. +39 0815593505 - 0815590931